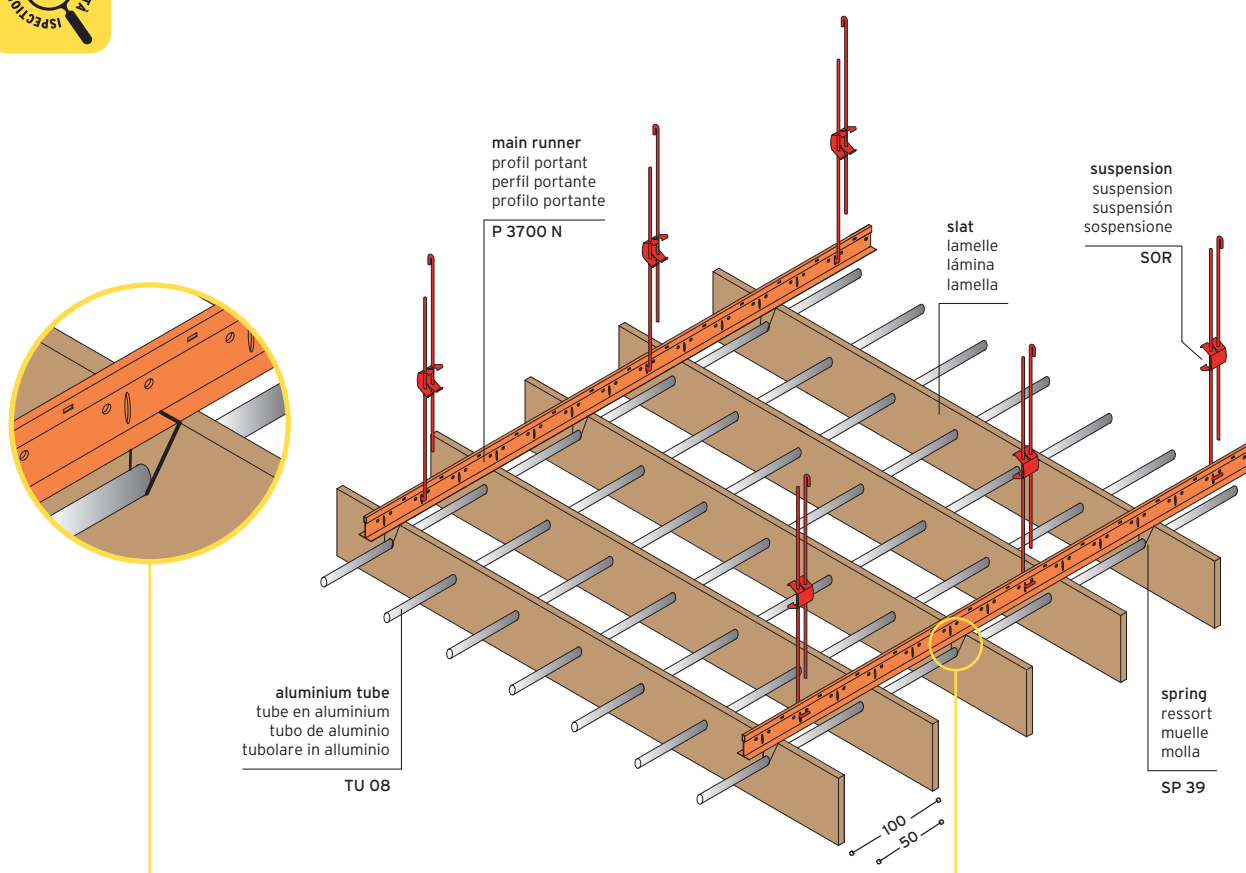


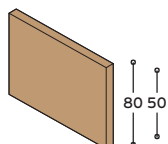


WOOD LAMELLA 300 SYSTEM



SLAT _ LAMELLE _ LÁMINA _ LAMELLA

CWG



melamine MDF slat, ABS edge, thickness 14 mm
lamelle en melaminé plaqué, bord en ABS, épaisseur 14 mm
lámina de MDF melamínico, borde ABS, espesor 14 mm
lamella in MDF nobilitato melaminico, bordo in ABS, spessore 14 mm

size _ dimensioni

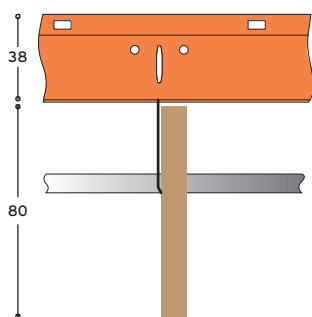
H80/50 mm x L3600 mm max or H on request
pitch 100/50 mm or on request

> cf. finishing
> cf. finitions
> cf. acabados
> cf. finiture

STRUCTURE _ STRUCTURE _ ESTRUCTURA _ STRUTTURA

system detail _ details du système _ detalles de sistema _ dettaglio sistema

system components _ éléments du système _ elementos de sistema
elementi del sistema



Technical dates / Aspects of performance value (UNI 13964 - 2005)
Dati tecnici / Aspetti pertinenti a valori prestazionali (UNI 13964 - 2005)

FIRE REACTION _ REAZIONE AL FUOCO
(Under structure) Class A1 DM 10/03/05 DEC. 2000/147/CE

MECHANICAL RESISTANCE _ RESISTENZA MECCANICA
(Under structure) 269.5 N/m² Normal break load/Carico normale di rottura
(Under structure) 107.8 N/m² Normal operating load/Carico normale di esercizio

DURABILITY _ DURABILITÀ
Protection against corrosion _ Protezione contro la corrosione: EN 10327

P 3700 N		main runner _ profil portant perfil portante _ profilo portante
	size _ dimensioni	incidence _ incidenza
		24x38x3700 mm 1.67 ml/mq
TU 08		aluminium tube _ tube en aluminium tubo de aluminio _ tubolare in alluminio
	size _ dimensioni	
		Ø 8 mm
SP 39		spring _ ressort muelle _ molla
	incidence _ incidenza	
		18 pcs/mq
SOR		suspension _ suspension suspensión _ suspensión
	incidence _ incidenza	
		2 pcs/mq