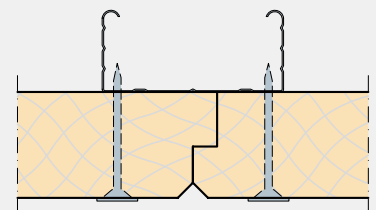
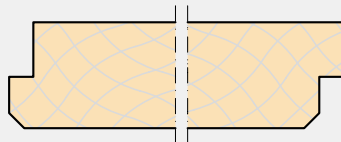


Installation instructions

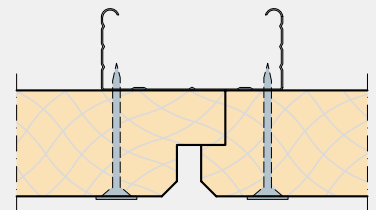
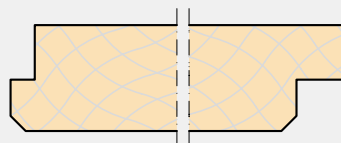
Troldtekt® acoustic panels K5-F and K5-FU
Installed with Troldtekt self-tapping screws
on suspended C60 profile system

TROLDTEKT® ACOUSTIC PANELS

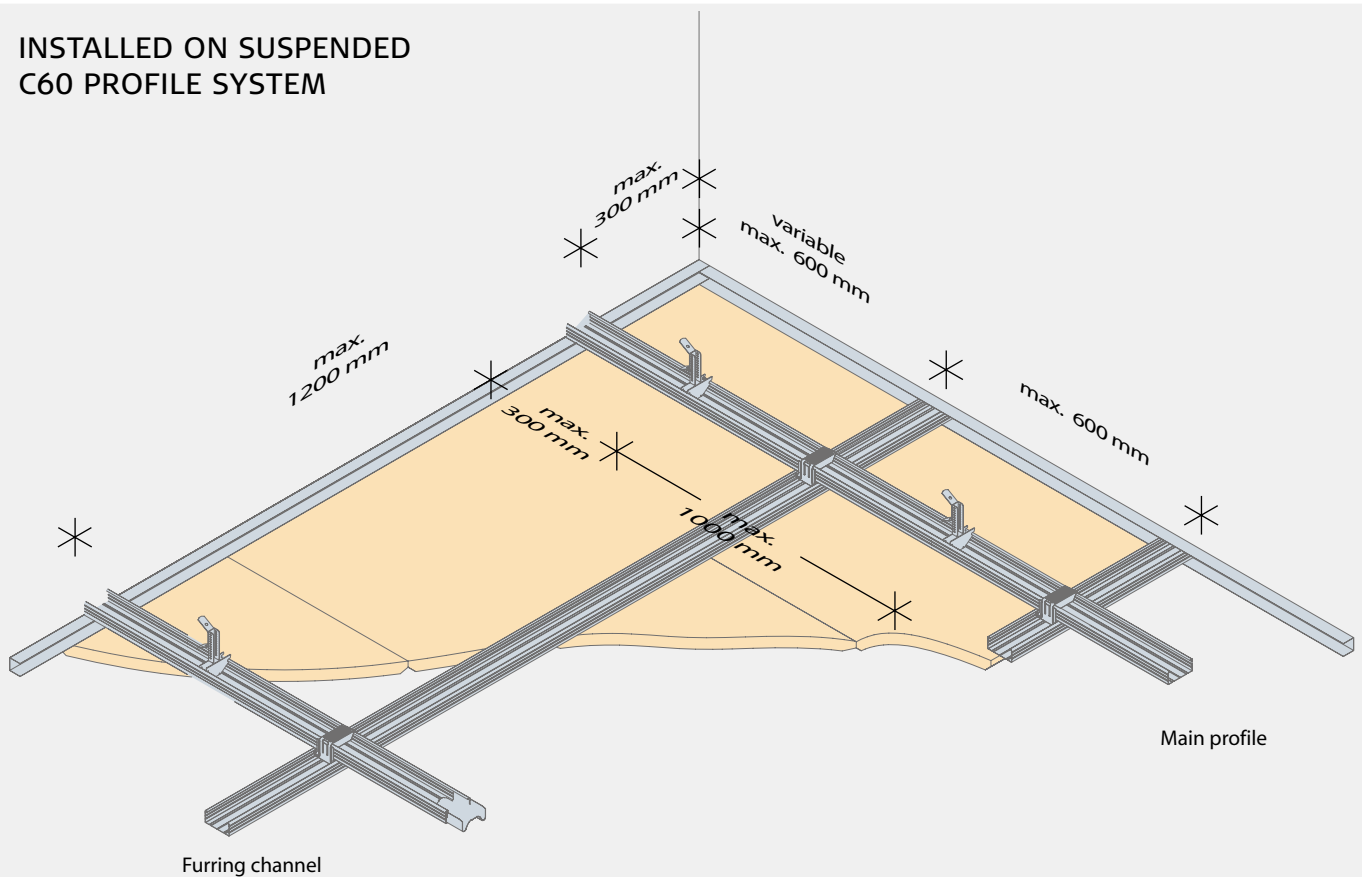
K5-F: Rebate and 5 mm bevel



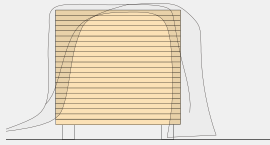
K5-FU: Rebate for U-profil and 5 mm bevel



INSTALLED ON SUSPENDED C60 PROFILE SYSTEM

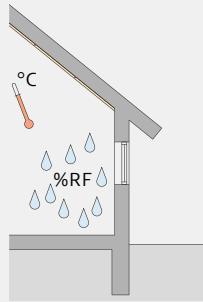


STORAGE AND ACCLIMATISATION



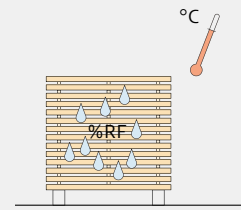
Outdoor storage

If it is necessary to store Troldekt panels outdoors, you should protect the panels using a tarpaulin or similar. Please note that outdoor storage should be as brief as possible and never directly on the ground.



Indoor storage

If you store Troldekt panels indoors, you must remove any packaging, as condensation could otherwise form within the packaging. Care should be taken to protect stored Troldekt panels from moisture, direct heat and dust.



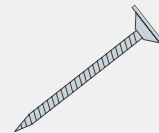
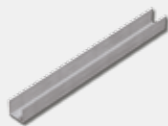
Acclimatisation

It is important that the Troldekt panels are allowed to acclimatise prior to installation. Acclimatisation means that the panels must adapt to the temperature and humidity in the room where they are to be installed.

COMPONENTS



Product name	C60 main profile 60×27 mm	C-connector	C-suspension hanger	C-cross connector
Size/length (mm)	4000	80	100	
Quantity per pack	12 pcs.	100 pcs.	100 pcs.	100 pcs.
Approx. qty. per m ²	2.5 linear m	0.6 pcs.	1.1 pcs.	1.4 pcs.



Product name	Perimeter angle profile 28×27 mm	Suspension rod	Ceiling drive anchor	Troldekt self-tapping screw
Size/length (mm)	3000	125, 250, 375, 500, 750, 1000	6.0×40	3.9×45
Quantity per pack	16 pcs.	100 pcs.	100 pcs.	100 pcs.
Approx. qty. per m ²	According to measurement	1.1 pcs.	1.1 pcs.	Panel length: 600: 4 pcs. per panel 1200: 6 pcs. per panel 2400: 10 pcs. per panel

Note: To minimise wind-related pressure/suction impact, install the Troldekt C60 profile system using fixed suspension rods instead e.g. nonius top parts.

STRUCTURAL SOFFIT

1: Mark the horizontal ceiling at the required height on all adjoining walls. Mark the lower side of the perimeter profile and fix it to the wall using 6-mm dowels in pre-drilled holes. Determine and mark the suspension points for the main profiles. Always install the first suspension hanger between the wall and the first cross connector, max. 300 mm from the wall. Distribute the remaining suspension hangers with a max. spacing of 1000 mm. Assemble suspension rod and suspension hanger to the desired length and install them on the ceiling drive anchor before con-

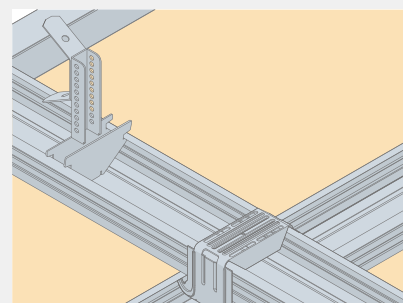
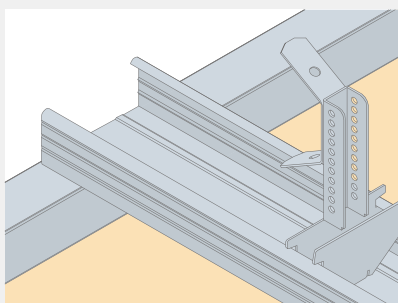
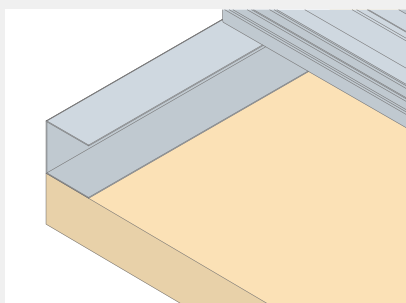
tinuing. Drill 6-mm holes in the concrete deck and install the ceiling drive anchor with suspension rod and suspension hanger by striking the ceiling drive anchor into the slot until it is lodged. Then bend the suspension rod into vertical position. Alternatively, screw the suspension rods into steel or wooden beams.

2: Hold a main profile with the opening facing upwards and click the profile over the suspension hanger at every suspension point. Assemble the main-profiles longitudinally using C-connec-

tors. The main profile must lap on the upper side of the perimeter profile. If possible, divide the ceiling space to allow for adjustments of min. 300 mm. on both sides.

3: Then click the C60 furring channels on the main profiles using the cross connectors. Lap the profiles on the perimeter profiles.

Note: If the lateral position of the profiles is not entirely accurate, you can easily adjust them. Lock the cross connectors by bending down the tabs.

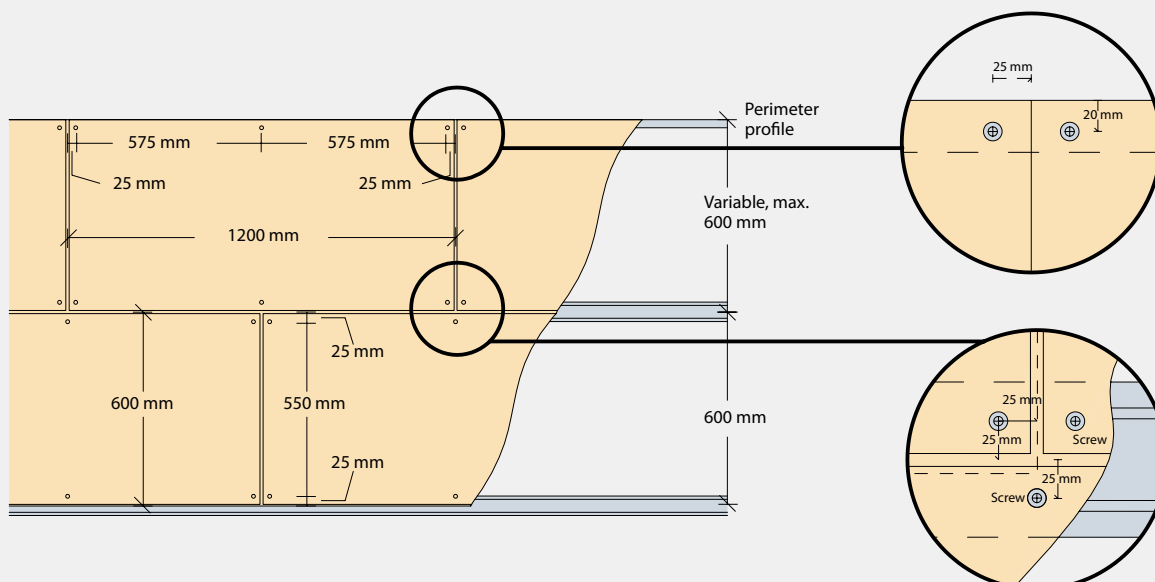


INSTALLATION

1: Start by installing a complete row of Troldekt panels along the centre line of the room and work with rows of panels from the centre. It is important that the panels are installed closely together, and the optimum aesthetic effect is obtained by installing the panels in broken bond.

2: Fix the panels using Troldekt self-tapping screws spaced 25/20 mm from the edges – as indicated in the figure below. Be careful not to overdrive the washed screws and so cause an indentation in the panel.

Please note: When installing 600 × 600 mm panels, it is important to ensure that the wood wool fibres run mainly parallel in one direction. To ensure a uniform appearance, install the panels so that the printed Troldekt texts on the back of the panels all run in the same direction.



INSPECTION ON RECEIPT

On receipt, check that the number of panels is correct and that the panels do not have visible flaws and defects. Please inform the supplier immediately in case of defective

panels, as we cannot accept claims regarding visible flaws and defects after the panels have been installed.

AFTER INSTALLATION

Remove any processing dust with a vacuum-cleaner with a brush nozzle.

If the installation process has left lines or other dirt on natural wood panels, you can

remove these by using a slightly damp cloth. Touch-up paint is available as required.

SUBSEQUENT CARE AND MAINTENANCE

Troldtekt panels usually require no subsequent care. However, we recommend regular cleaning along with other surfaces – and otherwise as required.

Use a vacuum cleaner with a brush nozzle. If vacuum-cleaning is not sufficient, you can

wipe the panels using a slightly damp cloth. If you subsequently want to paint the Troldtekt ceiling, you can use a long-haired paint roller or a hand sprayer. Water-based paint will not reduce the sound-absorbing performance of the panels.

PRODUCT STANDARDS, LABELLING AND CERTIFICATES

The table below indicates the size tolerances declared by us in accordance with the standard for cement-bonded wood wool (EN 13168) and the standard for suspended ceilings (EN 13964). It is important to note that Troldtekt is a natural material and the very nature of the material composition – wood wool and cement – may result in small variations in the thickness of the panels. Panel dimensions and weights

remain inside the tolerance indicated at 23 +/- 2° C and 50 +/- 5% relative humidity. However, inappropriate storage and lack of acclimatisation can alter the dimensions and weight of the panels. It is therefore important that you observe the installation, storage and acclimatisation instructions carefully.

Due to the composition of the materials, colour shade variations may occur.



Godkendelse
MK 6.31/0379



THICKNESS (mm)	WIDTH (mm)	LENGTH (mm)	WEIGHT (kg/m ²)	NO. OF PANELS (per pallet)	PERPENDICULARITY (mm)	PLANENESS (mm)
35	600	600 1190 2400	12.0	56* 56 28	≤2	≤3
(+/- 1.5)	(+/- 1)	(+/- 1.5)	(+/- 10%)			

*600×1200 mm pallet

FURTHER INFORMATION

On www.troldtekt.com you can read more about Troldtekt products. You can also download the most recent version of these

installation instructions and see the complete range of Troldtekt installation instructions.



Troldtekt A/S
Sletvej 2A
DK-8310 Tranbjerg J
Tel. +45 8747 8100
Fax +45 8747 8111
info@troldtekt.dk

www.troldtekt.com