

Metal ceilings

600x600

EXPANDED

EXPO 100

system



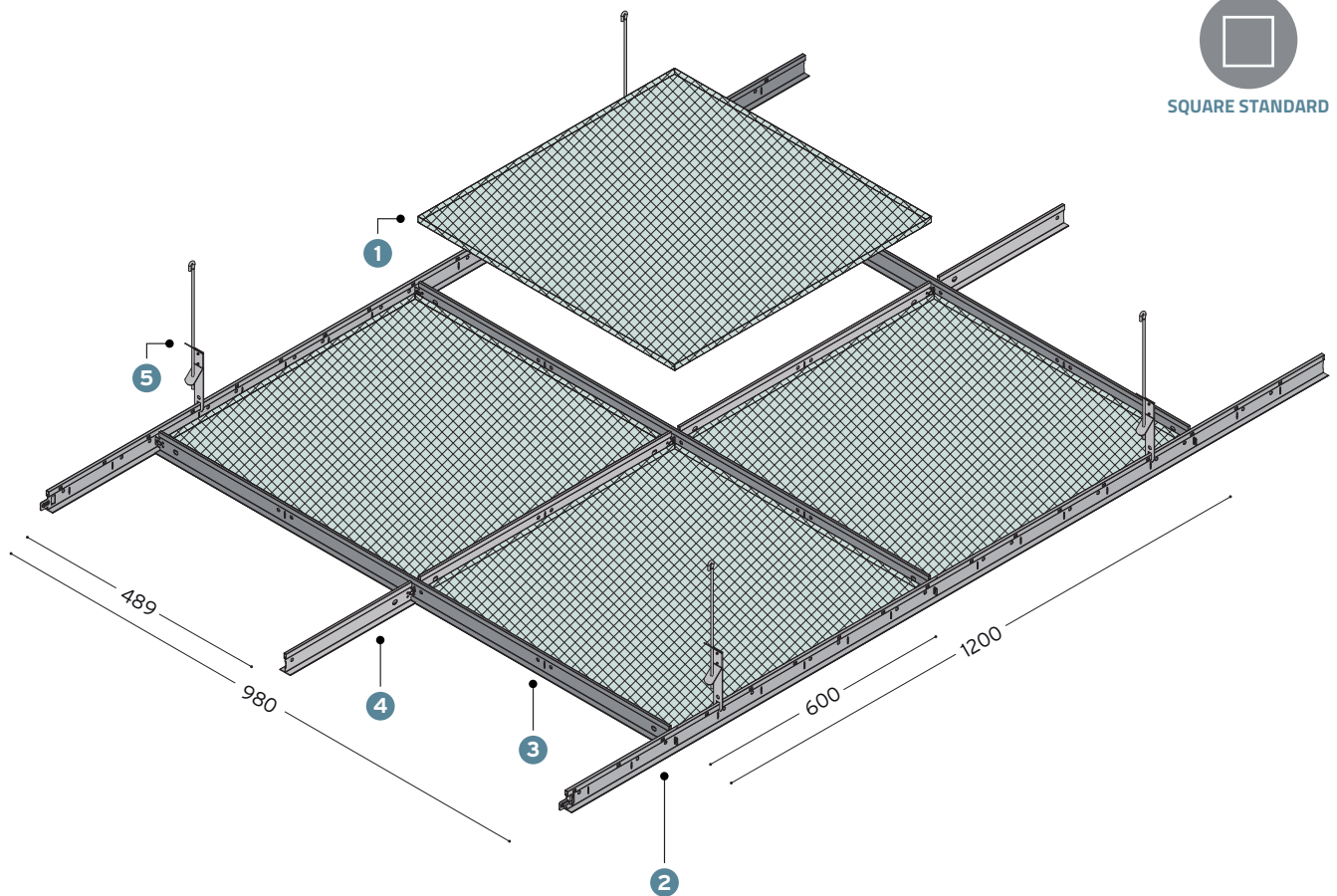
CBI
EUROPE

HI-TECH INTERIORS

600x600 EXPANDED EXPO 100 SYSTEM

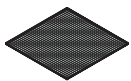


SQUARE STANDARD



PANEL PANNELLO

600 x 600 mm



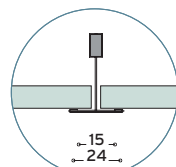
powder coated steel 1 mm
acciaio postverniciato 1 mm

mash 8x6 mm
maglia 8x6 mm

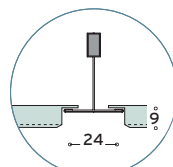
incidenza incidenza: 2.78 pcs/mq

GRID SYSTEM STRUTTURA

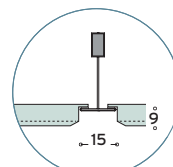
- > UNICLICK
- > CLICK
- > INN
- > XLINE



TRIM



REVEAL



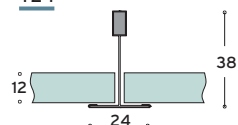
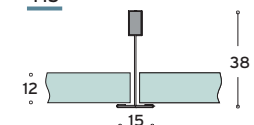
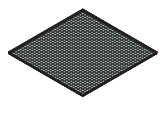
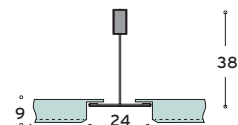
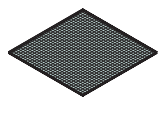
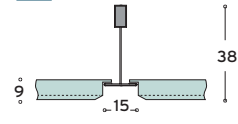
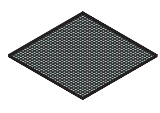
NARROW

TRIM / REVEAL

1	2	3	4	5
panel pannello 600x600 mm	PK 3700 main runner profilo portante 24x38x3700 mm 0.83 ml/mq	IKH 1200 cross tee profilo intermedio 24x38x1200 mm 1.67 ml/mq	IKH 0600 cross tee profilo intermedio 24x38x600 mm 0.83 ml/mq	CAR2001 hanger bracket attacco di sospensione 0.8 pcs/mq

NARROW / PLAIN

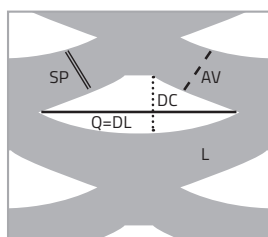
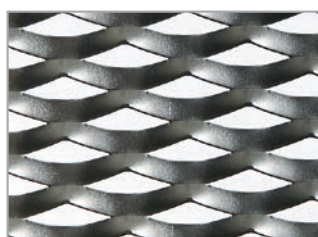
1	2	3	4	5
panel pannello 600x600 mm	PKA 3700 main runner profilo portante 15x38x3700 mm 0.83 ml/mq	IKHA 1200 cross tee profilo intermedio 15x38x1200 mm 1.67 ml/mq	IKHA 0600 cross tee profilo intermedio 15x38x600 mm 0.83 ml/mq	CAR2001 hanger bracket attacco di sospensione 0.8 pcs/mq

<p>TRIM</p> <p>T24</p> 	<p>T15</p> 	<p>MSTA00X</p>  <p>pcs_pz: 20</p>	<p>panel trim edge, stretched metal 8x6 mm pannello bordo trim, angolo vivo, lamiera stirata maglia quadrata 8x6 mm</p> <hr/> <p>size _ dimensioni incidence _ incidenza</p> <p>600 x 600 x 12 mm 2.78 pcs/mq</p>
<p>REVEAL</p> <p>T24</p> 		<p>MSRA09X</p>  <p>pcs_pz: 25</p>	<p>panel reveal edge, 9 mm drop, 3 mm bevel, stretched metal 8x6 mm pannello bordo reveal, ribasso 9 mm, angolo smussato 3 mm, lamiera stirata maglia quadrata 8x6 mm</p> <hr/> <p>size _ dimensioni incidence _ incidenza</p> <p>600 x 600 x 9 mm 2.78 pcs/mq</p>
<p>NARROW</p> <p>T15</p> 		<p>MSNA09X</p>  <p>pcs_pz: 25</p>	<p>panel narrow edge, 9 mm drop, 3 mm bevel, stretched metal 8x6 mm pannello bordo narrow, ribasso 9 mm, angolo smussato 3 mm, lamiera stirata maglia quadrata 8x6 mm</p> <hr/> <p>size _ dimensioni incidence _ incidenza</p> <p>600 x 600 x 9 mm 2.78 pcs/mq</p>

EXPANDED SYSTEMS PANELS

DIAMOND CALENDERED MESH

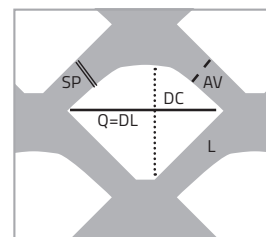
R16 powder coated steel



$$DL = 16 \cdot DC = 8 \cdot AV = 3 \cdot SP = 0,5$$

SQUARE MESH

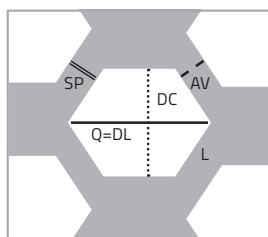
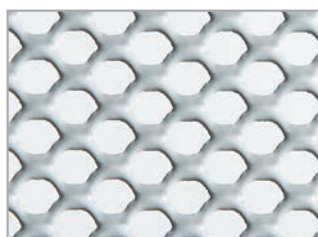
Q8 powder coated steel



$$DL = 8 \cdot DC = 6 \cdot AV = 6 \cdot SP = 1$$

DIAMOND MESH

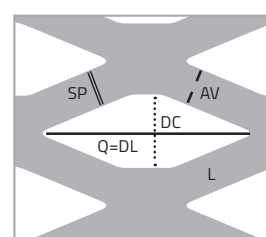
R16 powder coated steel



$$DL = 10 \cdot DC = - \cdot AV = 1,6 \cdot SP = 1$$

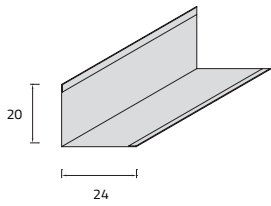
KNITTED MESH

ST10 powder coated steel

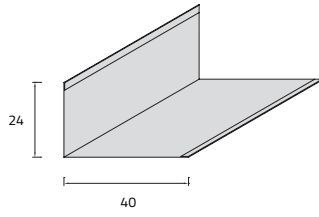


$$DL = 16 \cdot DC = 8 \cdot AV = 2 \cdot SP = 1$$

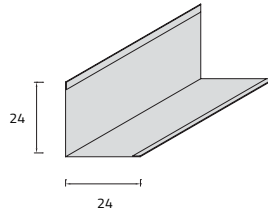
PERIMETRAL MOLDING > standard length 3000 mm



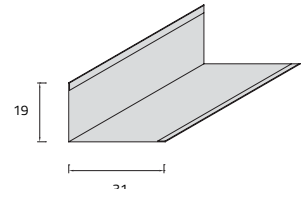
20 X 24
CP10 aluminum 0.5/0.6 mm
A3000 steel 0.5/0.6 mm



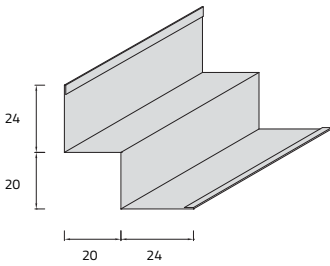
24 X 40
CP20 aluminum 0.5/0.6 mm
A3002 steel 0.5/0.6 mm



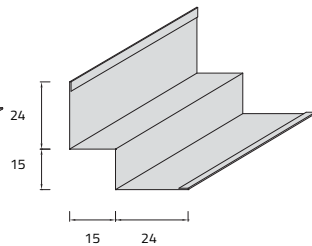
24 X 24
CP11 aluminum 0.5/0.6 mm
A3001 steel 0.5/0.6 mm



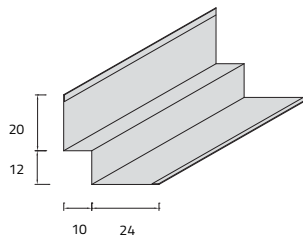
19 X 31
CP30 aluminum 0.5/0.6 mm
A3003 steel 0.5/0.6 mm



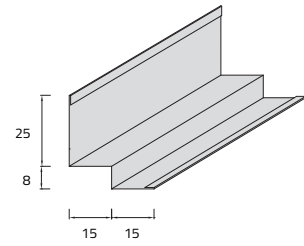
24 X 20 X 20 X 24
CW2020 aluminum 0.5/0.6 mm
W3003 steel 0.5/0.6 mm



24 X 15 X 15 X 24
CW1515 aluminum 0.5/0.6 mm
W3004 steel 0.5/0.6 mm



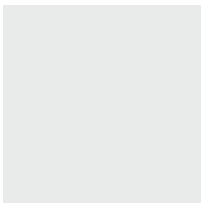
20 X 12 X 12 X 24
CW1210 aluminum 0.5/0.6 mm
W3000 steel 0.5/0.6 mm



25 X 8 X 15 X 15
CW0815 aluminum 0.5/0.6 mm
W3002 steel 0.5/0.6 mm

COLOURS RANGE

STEEL



white



RAL 9006
 silver



RAL 9005
 black

POWDER COATED



ALL RAL COLOURS

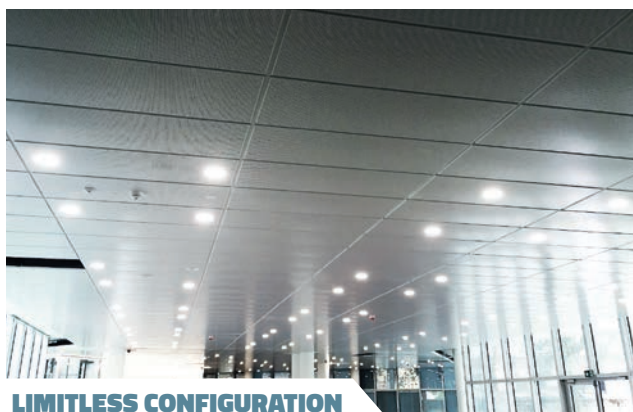
METAL CEILINGS & COVERINGS: technical perfection, 100% made in Italy.

CBI Europe's Metal Ceilings and Coverings systems are made up of modular elements (panels, strips or grilles) and suspended by steel support structures. Elements are **standard or custom made**, resistant, durable,

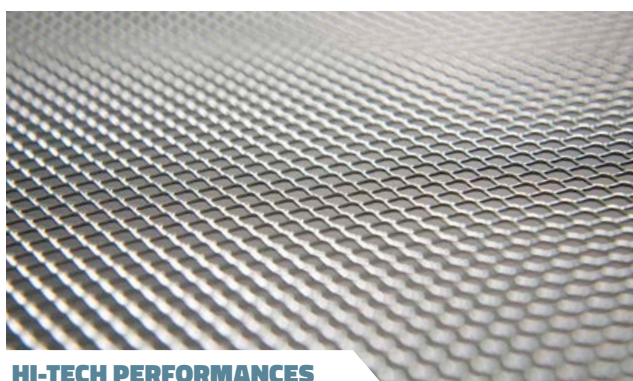
easy to handle, simple and quick to install, inspected, certified, eco-friendly and designed for new generation interiors, thanks to the architectural elements of great aesthetic versatility.



AESTETICH VERSATILITY



LIMITLESS CONFIGURATION



HI-TECH PERFORMANCES

Why

VERSATILE, FUNCTIONAL, LONG LASTING AND EASY TO INSTALL: A PERFECT COMBINATION OF TECHNOLOGY AND DESIGN THAT GUARANTEES HYGIENE AND STRENGTH.

Where

LARGE PUBLIC SPACES - HALLS, SHOPPING CENTRES, AIRPORTS, BANKS, OFFICES, CORRIDORS - OUTDOORS AND INDOORS.

Benefit

- **ACHIEVING FLEXIBLE, COMFORTABLE, CONTEMPORARY AND RESPONSIBLE INTERIORS.**
- **OBTAINING POINTS FOR LEED CERTIFICATION.**
- **SOUNDPROOFED ENVIRONMENTS.**
- **SPEEDING UP CONSTRUCTION.**
- **CONTAINING COSTS OF LABOUR AND MAINTENANCE.**
- **STRUCTURES 100% INSPECTABLE.**
- **INTEGRATION WITH ADVANCED CLIMATE CONTROL, DOMOTICS AND LIGHTING.**
- **PRECISE BUDGETING.**



FIRE REACTION

Including versions incorporating sound-absorbing non-woven fabric, are non-flammable according to the Italian Ministerial Decree of the 15th march 2005, and therefore conform to Euroclass A1 fire reaction requirements (only for not perforated panels).



HYGIENE

Easy to wash and sterilise. On request, they can also be supplied in a special fungicidal and bactericidal paint finish. We recommend hermetically sealed, Down Clip 200 System Metal Ceilings for use in operating theatres and pharmaceutical industries. All other types of metal suspended ceilings are ideal for use in kitchens, canteens, hospitals and schools. They also provide valuable protection against dust in industries producing delicate electronic circuits. Tests carried out under ISO 22196 ensure the reduction of the microbial population > 95% after 24 hours.



HUMIDITY RESISTANCE

Maintain their dimensional stability even under extreme ambient conditions, and can therefore be installed in environments characterised by high levels of relative humidity and large variations in temperature. For outdoor installations, please contact CBI Europe's Technical Department.



PAINTWORK

Suspended ceilings in pre-painted aluminium and hot-galvanised and pre-painted FePO2 steel are coil-coated with primer and polyester paint to a thickness of 25 microns. Suspended ceilings in electro-galvanised and post-painted FePO2 steel are electrostatically coated with resin based, thermosetting, polyester powder paints to a thickness of 60 microns.



LIGHT REFLECTANCE

All metal suspended ceilings finished in white and unperforated > 85% have a standard gloss level of 20.



INTEGRATED ACCESSORIES

All metal suspended ceilings can be fitted with accessories such as lighting units, ventilation vents, smoke detectors, sprinklers and suspended signage



FASTNESS

The systems are designed to guarantee rapid installation, speeding up the installation phases and respecting all the requirements of planarity and orthogonality.



ACOUSTIC ABSORPTION

Ceilings and coverings combine acoustic performance, comfort and aesthetics with adequate absorption values. Upon request they can be supplied with certifications issued by independent companies.



LEED CERTIFICATION

All products are manufactured in certified and constantly monitored processes to guarantee the highest standards of quality and safety.



ANTI-SEISMIC

The systems guarantee the application of all good safety practices in the construction and development of dedicated projects. Upon request, they can be supplied with an anti-seismic reports, which indicate suitable bracing.